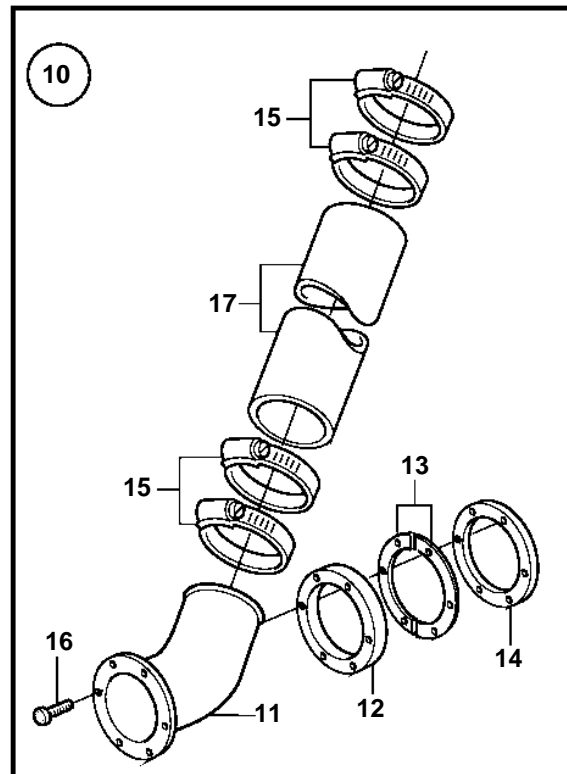
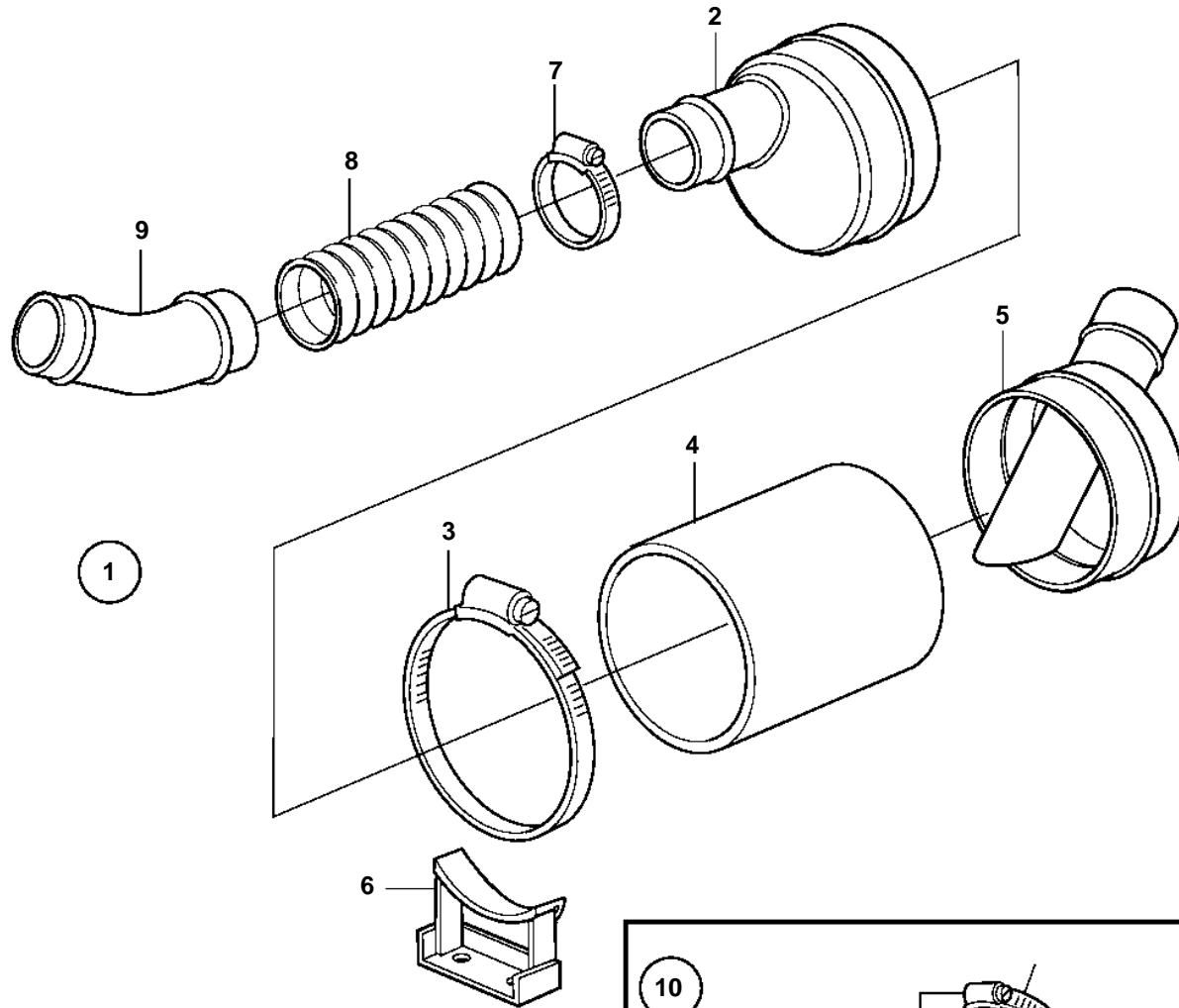


D2-55A, D2-55B, D2-55C



D2-55A, D2-55B, D2-55C

| REF | PART NO. | QTY | DESCRIPTION    | NOTES    |
|-----|----------|-----|----------------|----------|
| 1   | 842768   | 1   | Muffler        |          |
| 2   |          | 1   | · End plate    |          |
| 3   | 949000   | 4   | · Clamp        |          |
| 4   | 842766   | 1   | · Hose         |          |
| 5   |          | 1   | · End plate    |          |
| 6   | 842767   | 2   | · Bracket      |          |
| 7   | 853012   | X   | Hose clamp     |          |
| 8   | 1140667  | X   | Exhaust hose   | (828729) |
| 9   | 843287   | 1   | Riser          |          |
| 10  | 828295   | 1   | Hull fitting   |          |
| 11  | 828292   | 1   | · Grommet      |          |
| 12  | 828293   | 1   | · Expander     |          |
| 13  |          | 2   | · Washer       |          |
| 14  | 828412   | 1   | · Washer       |          |
| 15  | 853012   | 4   | · Hose clamp   |          |
| 16  | 828410   | 6   | · Screw        |          |
| 17  | 1140667  | X   | · Exhaust hose | (828729) |